



**Wellworth® Highline®**  
Trip Lever  
**K-9379**

**Features**

- For use with the following Wellworth and Highline two-piece toilets: K-3999, K-3979 K-3889, K-3949, K-3998, K-3978, K-3948, K-3997, K-3977 and K-3947.
- Coordinates with other products in the Wellworth collection.

**Material**

- Premium metal construction for durability and reliability.
- KOHLER finishes resist corrosion and tarnishing.

**Recommended Products/Accessories**

K-23723 Faucet cleaner



**ADA** **CSA B651** **OBC**

**Codes/Standards**

ASME A112.18.1/CSA B125.1  
ADA  
ICC/ANSI A117.1  
CSA B651  
OBC

**KOHLER® One-Year Limited Warranty**

See website for detailed warranty information.

**Available Colors/Finishes**

*Color tiles intended for reference only.*

Color	Code	Description
	SN	Vibrant® Polished Nickel
	AF	Vibrant® French Gold
	PB	Vibrant® Polished Brass
	G	Brushed Chrome
	BN	Vibrant® Brushed Nickel
	BV	Vibrant® Brushed Bronze
	2BZ	Oil-Rubbed Bronze
	BL	Matte Black
	0	White
	96	Biscuit
	2MB	Vibrant® Brushed Moderne Brass
	RGD	Vibrant Rose Gold

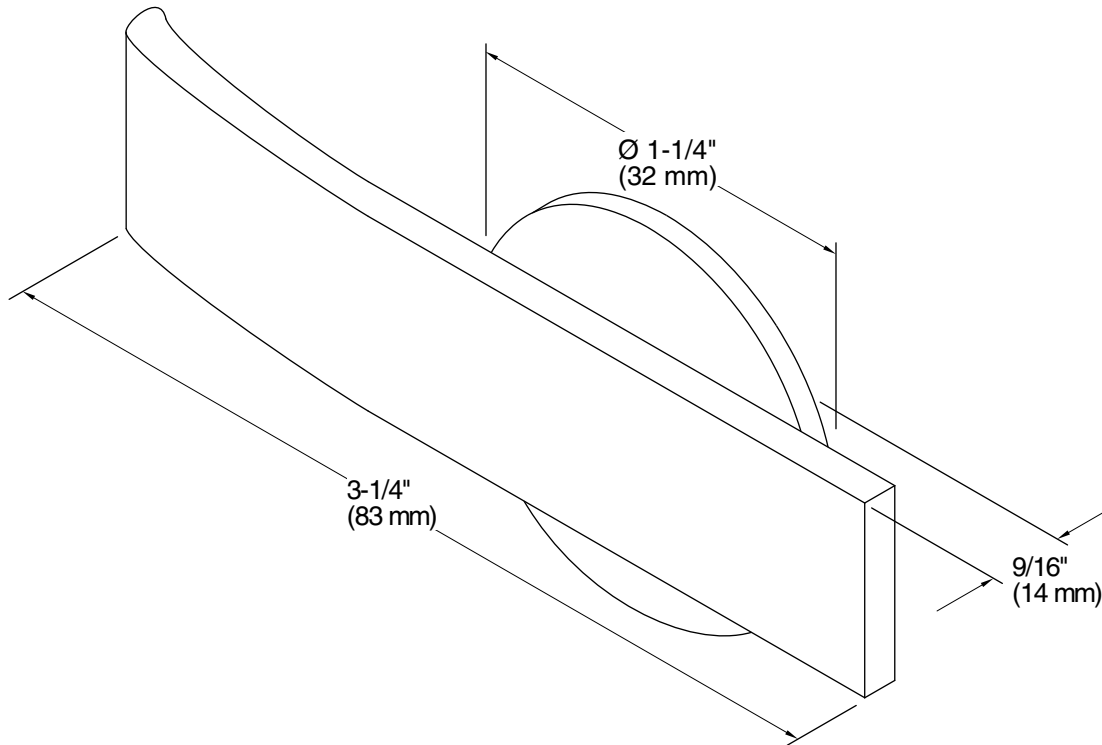
1-800-4KOHLER (1-800-456-4537)

Kohler Co. reserves the right to make revisions without notice to product specifications.

For the most current Specification Sheet, go to [www.kohler.com](http://www.kohler.com).

5-5-2022 23:11 - US/CA





### Technical Information

All product dimensions are nominal.

Material: Metal

### Notes

ADA, OBC, CSA B651 compliant when installed to the specific requirements of these regulations.